

SPK-CAN

Signal phone for CAN communication panel



SPK-CAN

SPK-CAN Signal phone for CAN communication panel

- Panel type signal phone that outputs clear and cheerful 8-48Khz MP3 Audio harmony by applying industrial CAN communication
- Up to 63ea of frame IDs can be set by software manager
- Can select and play 255 songs using CAN communication
- Save MP3 sound source using USB2.0 Micro Type B cable
- Supports 128Mbyte storage capacity (File format: FAT)
- Support CAN communication standard version 2.0A
- Certificates : CE
- Material: ABS
- Volume: Max. 85dB at 1m
- Ambient temperature: -25°C-+50°C
- Protection class: IP23

Model number	Sound Type	dB	Voltage/ Current	Certificate	Weight
SPK-CAN	MP3 File (255 Sounds) CAN protocol	Max 85dB (Based on 1KHz)	DC12-24V/0.670A	CE	0.19kg

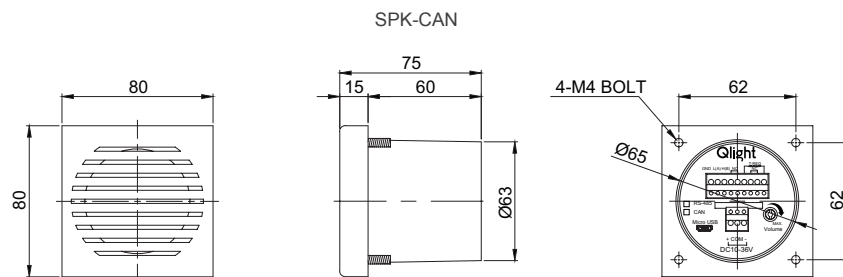


Technical Diagram

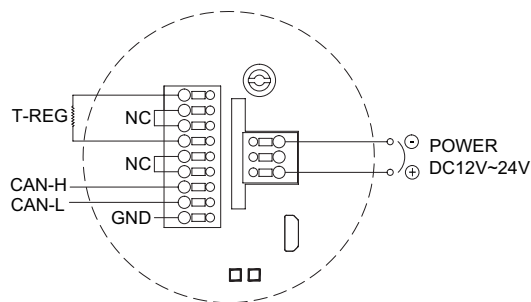
(Units : mm)



Terminal box for Signal phone for CAN communication panel (back side)



Wiring Instructions



Ordering Specification

SPK-CAN	-	12/24
[Model number]		[Voltage]
• SPK-CAN		• 12/24-DC12V-24V